

Ankastre Module



HAND TOOLS REQUIRED FOR INSTALLATION



Yıldız Uçlu Tornavida

Sarıllı Markap

Metre

ACCESSORIES LIST



18mm
Minifix Gövdesi
(24 adet)

Minifix Nili
(16adet)

Kavala
(16 adet)

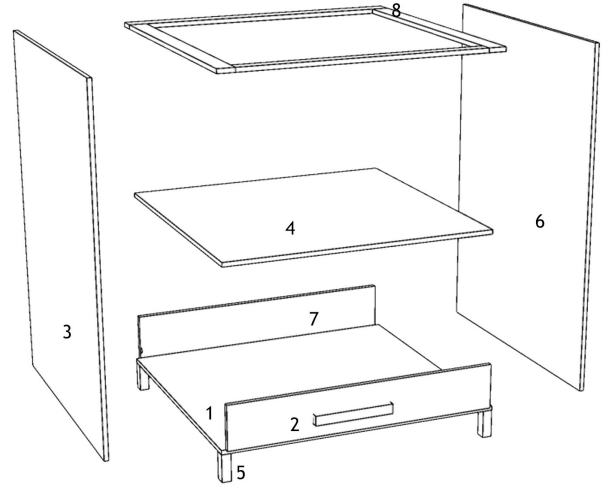
Kulp
(1adet)

Kulp Vidası
(2adet)

3.5x18 Vida
(16 adet)

3.5x30 Vida
(30 adet)

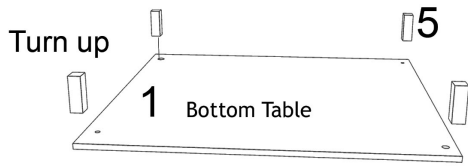
Çekmece Rayı
(4 adet)



PART NUMBER PART NAME

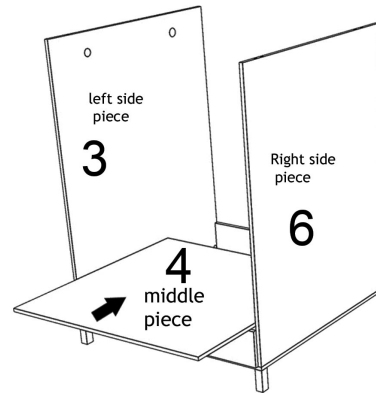
- 1- Bottom Table
- 2- lid
- 3- left side piece
- 4- middle piece
- 5- foot
- 6- Right side piece
- 7- backrest
- 8- Top Panel

1- *You must start the installation with part number 1.



*Feet must be attached to the bottom panel

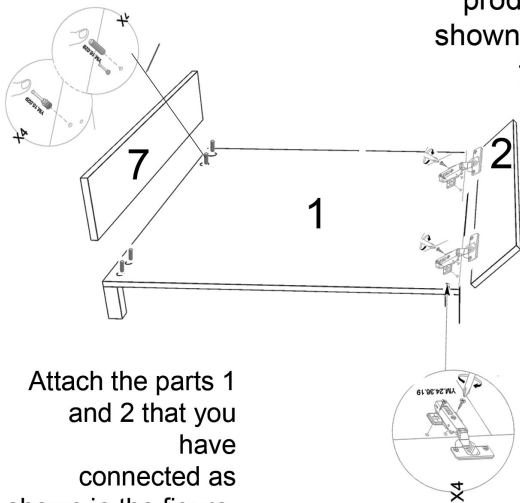
4-



Panel number 4 should be connected as shown in the figure.

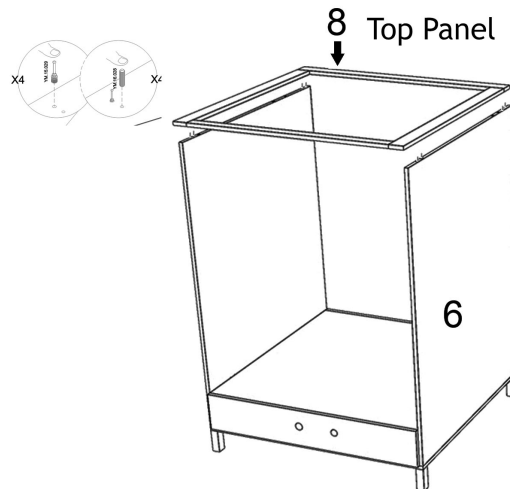
2- Parts 1 and 2 must be hinged before installation.

* Now turn the product as shown in the figure.

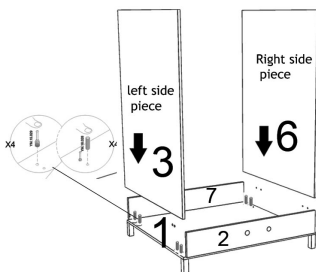


Attach the parts 1 and 2 that you have connected as shown in the figure.

5-



3-



- Connect panel 6 to panel no. 1.
- Connect panel 3 to panel no. 1.

- Top panel number 8 should be installed as shown in the figure.

6-

